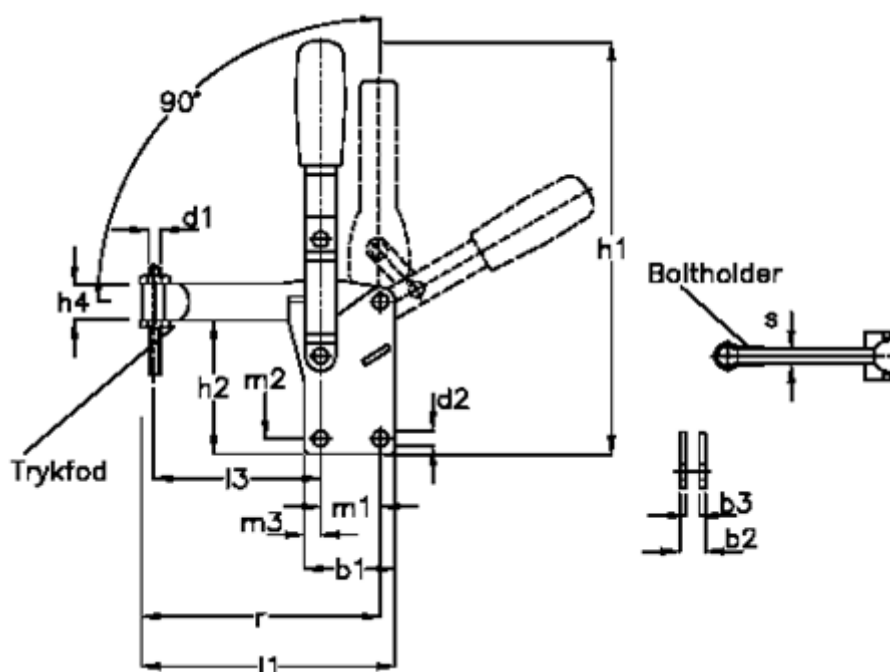


Article number: 208101130FNI

Description: E+G Klee vertical clamp GN 810.1-130-F-NI  
solid clamping arm

## Measures



b1 = 35	Holding force N = 1600	s = 5
b2 = 10	l1 = 86	Size = 125
b3 = 5	l2 = 51	
d1 = M6	l3 = 62	
d2 = 5.5	m1 = 19	
h1 = 156	m2 = 7	
h2 = 42	m3 = 8.0	
h3 = 14	r = 79.0	